

Product description

Captive anti-vibration mounts are designed with built-in overload protection, which controls the equipment during transport and provides complete protection in both stationary and mobile conditions.

A universal mount which is popular for use in a variety of applications. Effective mounts that are easy to install, at reasonable prices. The rubber is loaded in compression and shear and the CMH type's great height provides a large reduction of vibrations.

The steel cover protects from UV radiation and shields the rubber from any dripping oil or fuel.

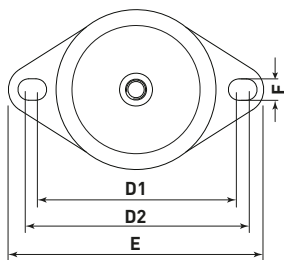
Load of 35 kg to 4000 kg

Application

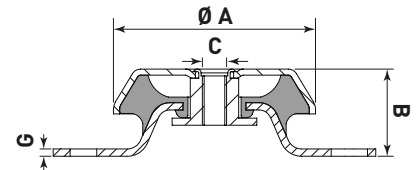
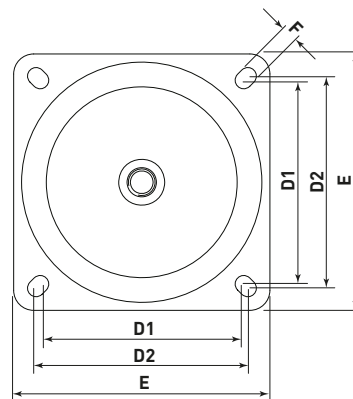
Diesel engines, generators, pumps, compressors, vehicles, marine engines, mobile installations, construction machines and fans.



CMH060
CMH070
CMH080
CMH110
CMH150



CMH180
CMH220



Type	A Ø [mm]	B [mm]	C	D1 [mm]	D2 [mm]	E [mm]	F [mm]	G [mm]
CMH060	63	35	M10 & M12	76	90	110	9	2.5
CMH070	65	35	M12	100	-	120	15	3
CMH080	83	35	M10 & M12	108	110	135	11	3
CMH110	106	42	M12 & M16	138	146	171	12.5	3
CMH150	155	53	M16	176	188	216	14	4
CMH180	183	86	M20	146	-	180	14.5	5
CMH220	220	105	M24	180	-	220	17.5	6

Type	Hardness 40 Sh(A)		Hardness 45 Sh(A)		Hardness 50 Sh(A)		Hardness 60 Sh(A)		Hardness 70 Sh(A)	
	Max. load [kg]	Deflection [mm]	Max. load [kg]	Deflection [mm]	Max. load [kg]	Deflection [mm]	Max. load [kg]	Deflection [mm]	Max. load [kg]	Deflection [mm]
CMH060	35	3.5	-	-	-	-	60	3.5	100	3.5
CMH070	50	4.0	-	-	-	-	120	3.5	-	-
CMH080	70	6.0	-	-	-	-	190	6.0	-	-
CMH110	200	7.0	-	-	360	7.0	500	7.0	625	7.0
CMH150	-	-	500	12	-	-	800	12.0	1800	10.0
CMH180	900	15.0	-	-	1200	14.0	1700	14.0	-	-
CMH220	-	-	1500	18.0	-	-	3000	18.0	4000	15.0

Deflection, static load

