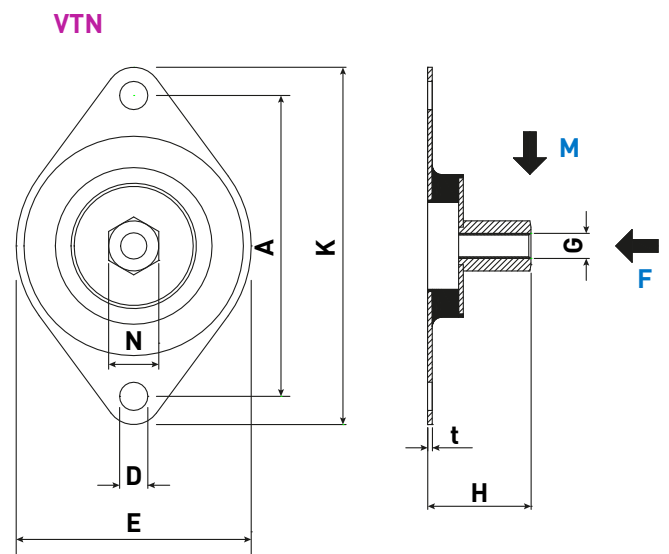
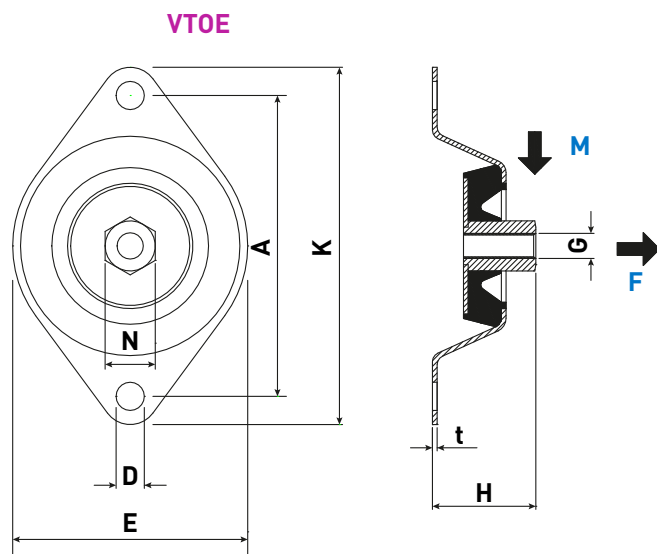


Product description

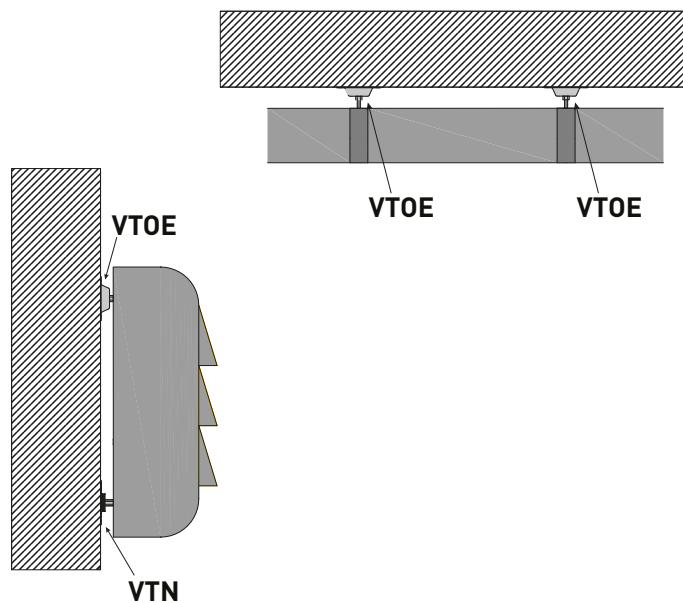
Anti-vibration mount with rubber vulcanised to the galvanised metal parts. Type VTOE is a secured type mount which, when overloaded or if the rubber breaks, will still keep the mounted equipment in place.

Application

- VTOE is used as the upper mount when mounting electrical cabinets or other equipment on vertical surfaces.
- VTN is used as the lower bracket and is not secured.
- VTOE can also be used for equipment which is mounted on ceilings.



Example



Model	40 Sh(A)		60 Sh(A)	
	M max [kg]	F max [kg]	M max [kg]	F max [kg]
VTOE	14	30	25	70
VTN	14	30	25	70

Dimensions [mm]	A	D	E	G	H	O	N	t
VTOE	96	9	75	M8	33	114	15	1.5
VTN	96	9	75	M8	33	114	15	1.5