

Product Description

The AT range of mounts are specially designed to insulate against medium to high frequencies.

Rubber is bonded to two concentric tubular metal parts. The inner metal part is a cylindrical tube. The outer metal is also tubular with a flange with mounting holes.

Function and assembly

When mounting, we recommend using a washer at the top so that there is equal pressure on the upper part. We also recommend using a washer at the bottom so the mounting bolt cannot be drawn through the mount by shock loading.

Technical characteristics

The radial elasticity of the AT range is $\frac{1}{4}$ of its axial elasticity. It is manufactured in three different hardness's. Soft: hardness A (45 Sh.), Medium: hardness B (60 Sh.), Hard: hardness C (75 Sh.).

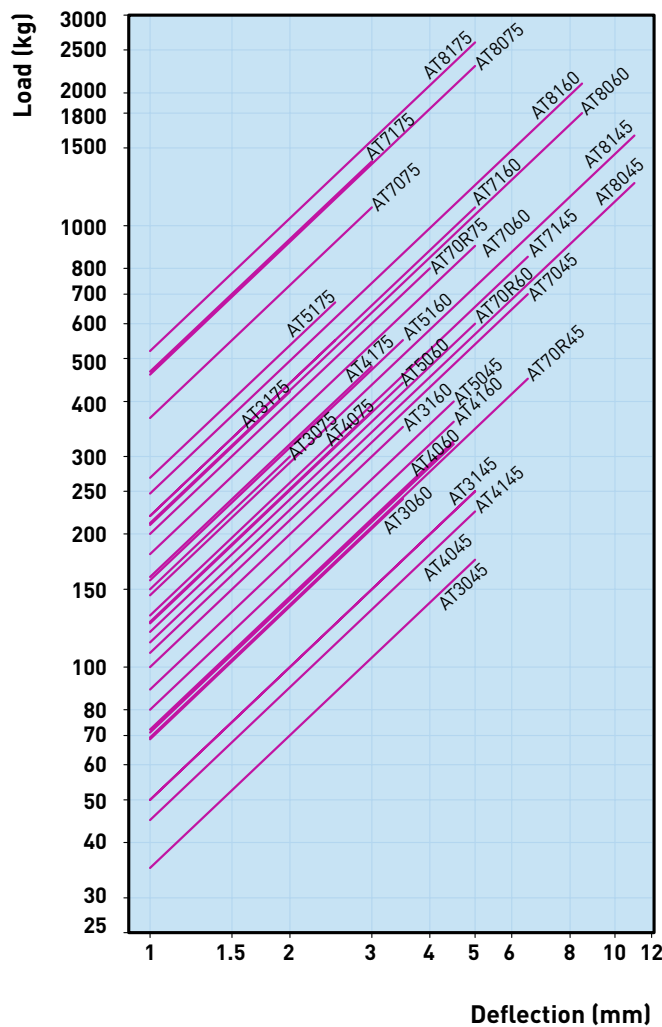
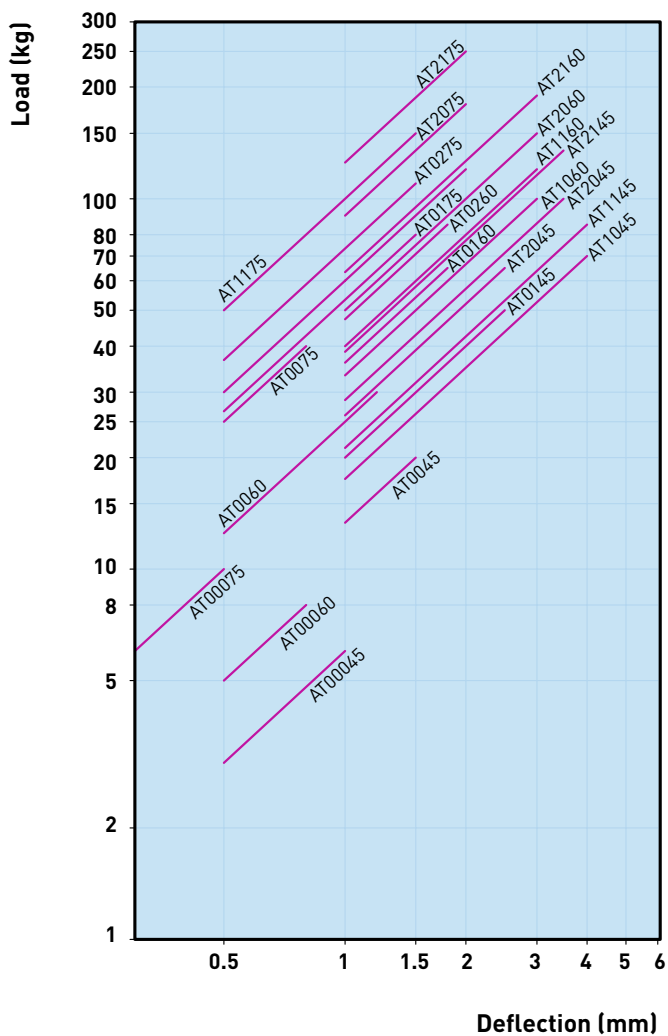
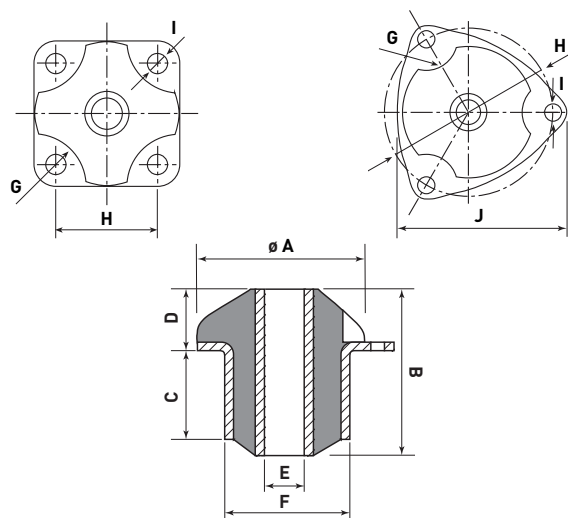
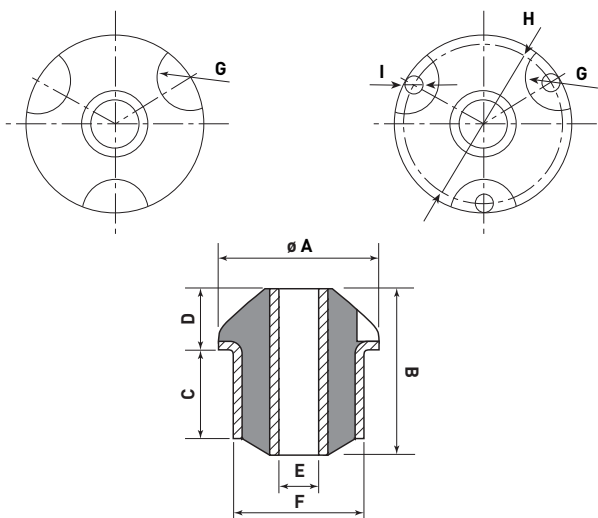
Applications

AT mounts can be used where there is a requirement for minimal equipment height increase and high radial stability, which this mount provides.



Type	A Ø (mm)	B (mm)	C (mm)	D (mm)	E Ø (mm)	F Ø (mm)	G (mm)	H Ø (mm)	I Ø (mm)	J (mm)	Fig.	Load (kg) 45 Sh.	Load (kg) 60 Sh.	Load (kg) 75 Sh.	Weight (g)
AT 000	25	11	3	7	6.2	20	4	19	3.2	-	3	6	8	10	-
AT 00	36	28	12.5	11.5	8.1	26	12	26	5.2	-	3	20	30	40	39
AT 01	48	40	18	18	12.1	37.5	8	-	-	-	1	50	65	80	-
AT 02	48	51	24	18	12.1	37.5	8	-	-	-	1	65	85	110	144
AT 10	60	47	20	18	12.2	49	8	69	8.2	73	4	70	100	120	-
AT 11	60	60	31	18	12.2	49	8	69	8.2	73	4	85	120	150	250
AT 20	70	55	27	19	18.2	55.7	10	-	-	-	1	100	150	180	344
AT 21 (Round)	70	70	39	19	18.2	55.7	10	-	-	-	1	135	190	250	437
AT 21 (Tri.)	70	70	39	19	18.2	55.7	10	80	8.5	86	4	-	-	-	437
AT 30	90	75	29	28	20.2	65	16	78	8.5	-	2	175	240	300	522
AT 31 (Round)	90	95	47	28	20.2	65	-	-	-	-	1	250	350	420	775
AT 31 (Tri.)	90	95	47	28	20.2	65	16	95	8.5	-	4	250	350	420	775
AT 40 (Tri.)	100	90	42	28	22.2	74	18	100	8.5	112	1 - 4	225	320	380	789
AT 41	100	110	49	28	22.2	74	18	100	8.5	112	1 - 4	250	360	480	895
AT 50	120	100	47	33	40.2	86	20	114	8.5	-	4	325	440	550	1305
AT 51	120	120	63	53	40.2	86	20	114	10.5	-	2	400	550	670	1494
AT 70 (Round)	165	98	36	46	60.2	118	22	145	10.5	-	2	450	600	800	3124
AT 70	165	140	66	46	60.2	118	22	145	10.5	-	2	700	900	1100	3124
AT 71	165	170	96	46	60.2	118	22	145	10.5	-	2	850	1100	1400	3790
AT 80	230	167	95	53	80	170	30	204	12.2	-	2	1250	1800	2300	7096
AT 81	230	185	113	53	80	170	30	204	12.2	-	2	1600	2100	2600	7702

Conical Mounts



Errors and Omissions Excepted (E&OE).