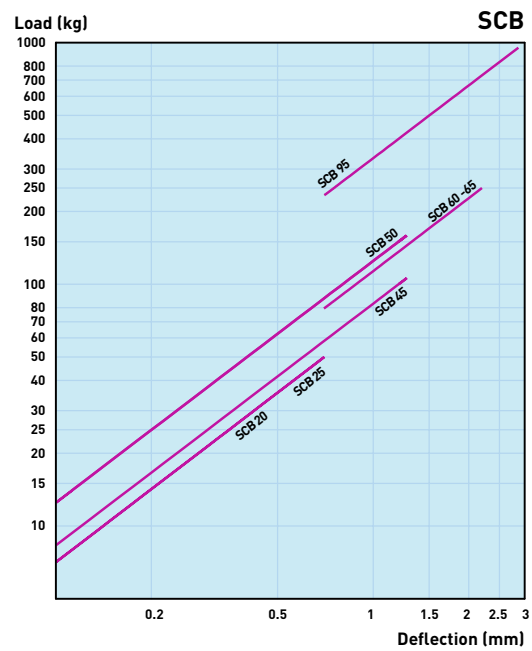
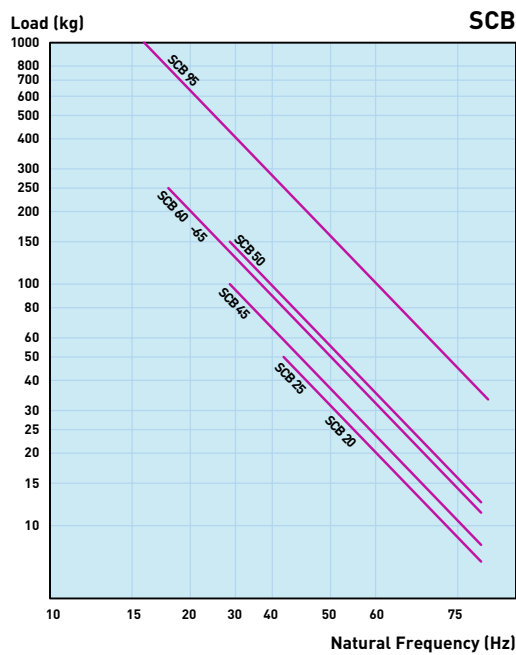
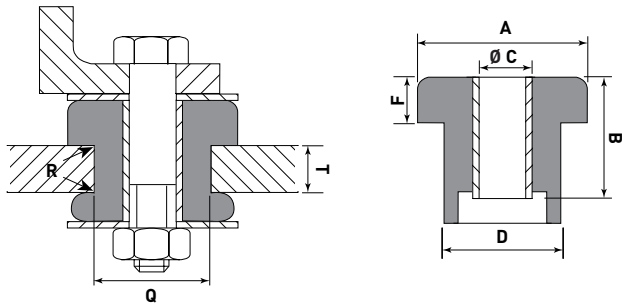


Product Description

SCB mounts consist of two rubber parts with a metal tube inside. The metal tube reduces wear on the rubber and gives longer life. The SCB mount is designed to reduce both tensile and compression forces.

Benefits

- Easy to assemble and install
- A simple and economic product with many applications



Type	A (mm)	B (mm)	C Ø (mm)	D (mm)	F (mm)	R (mm)	Q (mm)	T Min. (mm)	T Max. (mm)	Load (kg)	Weight (g)
SCB 20	27	15.5	10	20	6.5	1	20.5	4	5	30	20
SCB 25	27	21	10	20	6.5	1	20.5	10	11	50	20
SCB 45	42	25	13	31	10.5	1.5	31	10	11	100	56
SCB 50	49	35	13.5	34	13.5	1.5	34	16	17	200	73
SCB 60	63	31	16	41	16	3	41	9	10	250	108
SCB 65	62	44.5	16.5	40	17	3	40	19	20	250	140
SCB 95	92	51.5	20.5	56	26	3	55.5	19	20	1000	395

Washers are available for each size of mount as an additional part, please contact IAC Acoustics for details.