

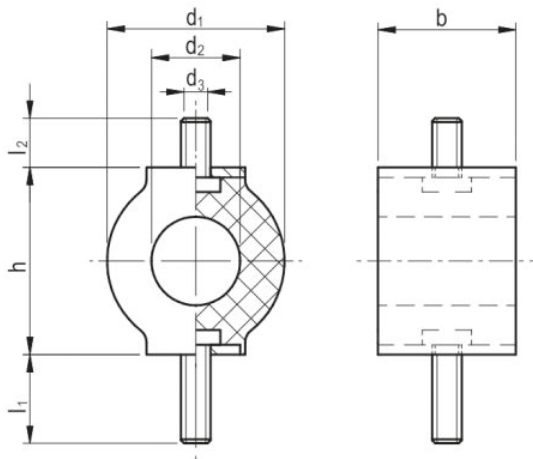
Product description

Type SDRV is an annular mount where the rubber is vulcanised on electro-galvanised steel plates.

These are for low loads like for print circuits and small fans.

Can also be ordered as follows:

- Rubber hardness: 45, 55 & 70 Sh(A)
- Rubber types CR, EPDM & Silicone
- The rubber can be stained



Type	d ₁ [mm]	d ₂ [mm]	d ₃ [mm]	h [mm]	b [mm]	l ₁ [mm]	l ₂ [mm]	Hardness 55 Sh(A)	
								Max. load. [kg]	Deflection [mm]
SDRV1005	10.5	5.6	M4	12.5	9.5	10	10	2.5	2
SDRV1406	14	6	M4	17	13	10	10	3.5	3
SDRV2512	25	12	M5	30	20	14	14	7.5	5
SDRV3617	36	17	M10	40	26	20	20	15	5