

Housed Spring Mount

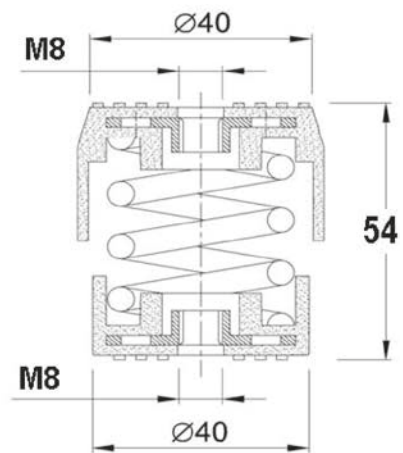
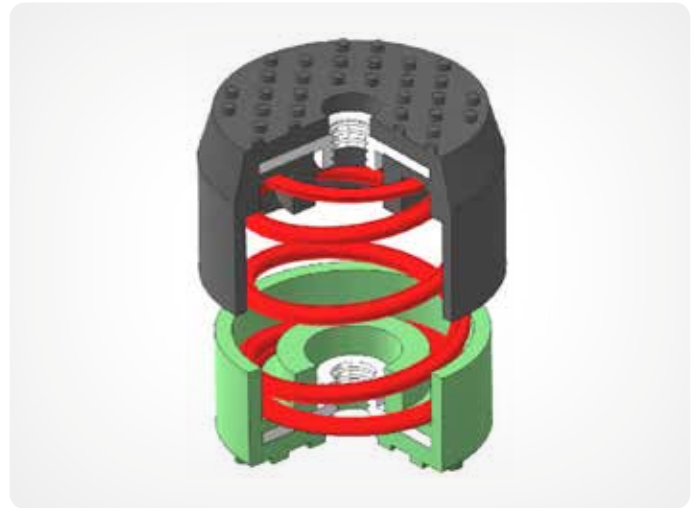
FDHH

Product description

Designed for vibration isolation of smaller machines with a speed of more than 450 rpm. Can handle loads from 3 to 130 kg. M8 centre threaded and non-slip top and bottom, where the spring is protected from the weather.

Application

Especially suitable for Genvex units, heat pumps, small fans and air conditioning systems.



Type	Mount weight [kg]	Stiffness [kg/mm]	Max. load [kg]	Deflection [mm]	Height [mm]
FDHH-009	0.06	0.4	9	22	54
FDHH-015	0.07	0.7	15	22	54
FDHH-019	0.07	1.0	19	19	54
FDHH-034	0.07	1.7	34	20	54
FDHH-035	0.08	2.3	35	15	54
FDHH-045	0.08	3.0	45	15	54
FDHH-056	0.10	4.6	56	12	54
FDHH-084	0.10	6.0	84	14	54
FDHH-101	0.10	7.2	101	14	54
FDHH-108	0.14	9.0	108	12	54
FDHH-127	0.11	10.6	127	12	54
FDHH-130	0.12	13.0	130	10	54