

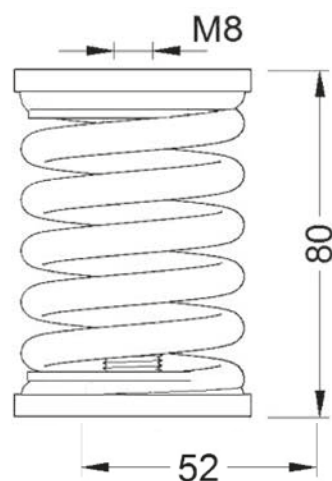
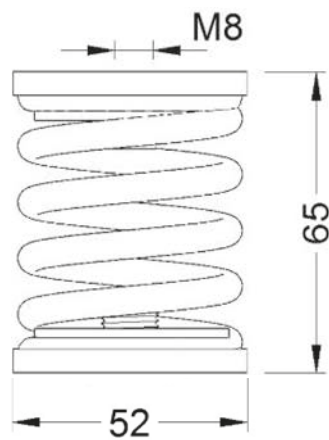
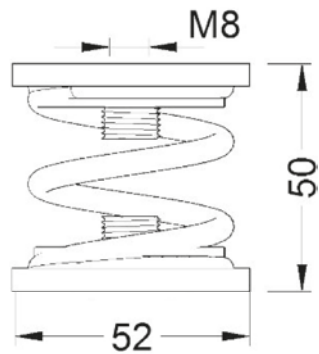
Product description

Open steel spring with aluminium mounting plates. For vibration isolation of machines with speeds of more than 500 rpm.

An aluminium mounting plate is fitted to the top and bottom of the spring.

Application

For use in harsher environments. Used, for instance, in Genvex units, heat pumps, fans, air conditioners and cooling towers.



Type	Mount weight [g]	Stiffness [kg/mm]	Load [kg]	Deflection [mm]	Height [mm]
FD05250-009	0.17	0.5	9	18	50
FD05265-016	0.16		16	31	65
FD05280-019	0.18		19	38	80
FD05250-018	0.17	1.0	18	18	50
FD05265-028	0.17		28	28	65
FD05280-036	0.19		36	36	80
FD05250-027	0.18	1.6	27	17	50
FD05265-042	0.19		42	26	65
FD05280-050	0.22		50	31	80
FD05250-038	0.17	2.1	38	18	50
FD05265-057	0.19		57	27	65
FD05280-067	0.26		67	32	80
FD05250-045	0.19	2.8	45	16	50
FD05265-070	0.22		70	25	65
FD05280-070	0.28		70	25	80
FD05250-059	0.18	3.9	59	15	50
FD05265-094	0.22		94	24	65
FD05280-113	0.28		113	29	80
FD05250-070	0.21	5.0	70	14	50
FD05265-105	0.24		105	21	65
FD05280-130	0.28		130	26	80
FD05250-088	0.21	6.3	88	14	50
FD05265-126	0.24		126	20	65
FD05280-158	0.30		158	25	80
FD05250-098	0.21	7.5	98	13	50
FD05265-150	0.25		150	20	65
FD05280-165	0.37		165	22	80
FD05250-115	0.22	9.6	115	12	50
FD05265-173	0.27		173	18	65
FD05280-182	0.38		182	19	80
FD05250-142	0.25	11.8	142	12	50
FD05265-212	0.28		212	18	65
FD05280-224	0.37		224	19	80
FD05250-154	0.24	14.0	154	11	50
FD05265-252	0.29		252	18	65
FD05280-238	0.41		238	17	80
FD05265-272	0.31	16.0	272	17	65
FD05250-187	0.25	17.0	187	11	50
FD05265-288	0.30	18.0	288	16	65
FD05265-300	0.35	20.0	300	15	65
FD05265-308	0.35	22.0	308	14	65
FD05265-336	0.30	24.0	336	14	65