

**Product description**

Designed for vibration isolation of machines with speeds of more than 350 rpm. Can handle loads from 225–2250 kg.

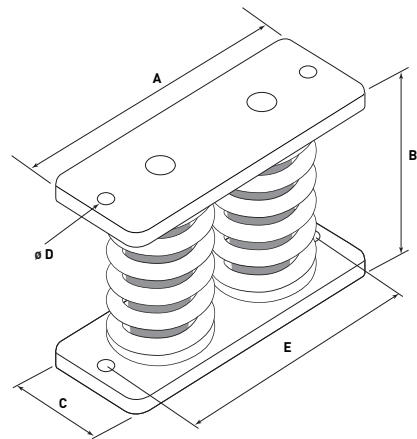
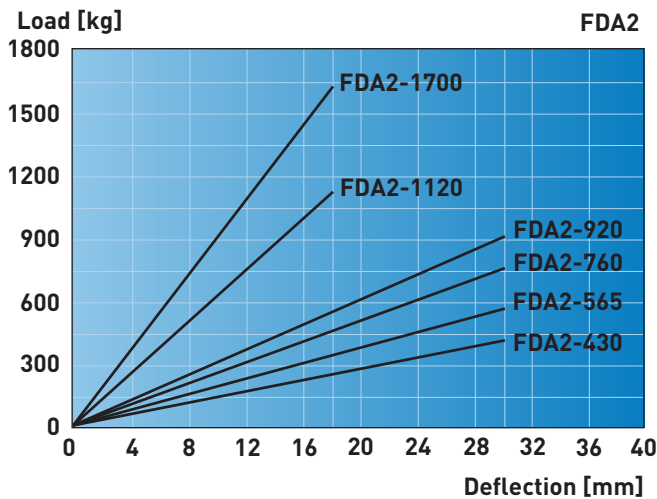
**Flexible properties**

FDA2-520 to FDA2-900 and FDA 3-450 to FDA 3-1050.  
Vertical natural frequency of 1.6 to 4 Hz.

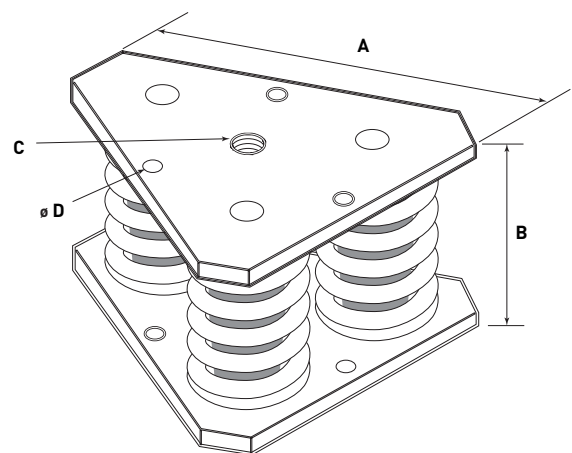
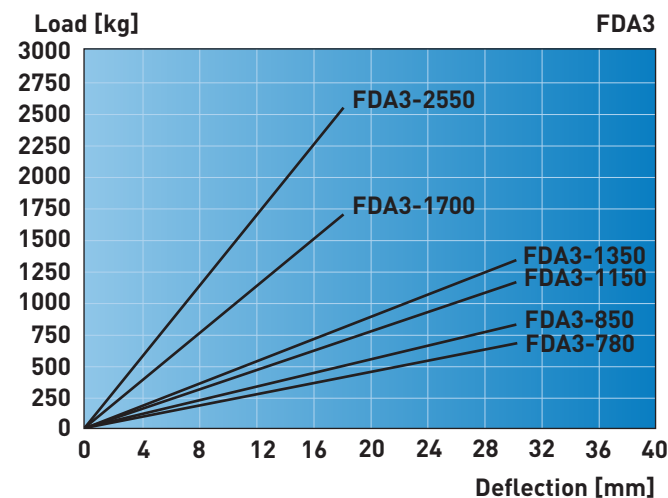
FDA2-1120 to FDA2-1700 and FDA 3-1500 to FDA 3-2250.  
Vertical natural frequency of 3 to 5 Hz.

**Application**

Especially suitable for generators, compressors, fans, pumps, refrigeration equipment, etc.



Type	A [mm]	W [mm]	C [mm]	D Ø [mm]	E [mm]
FDA2-520/FDA2-900	200	124	75	12	170
FDA2-1120/FDA2-1700	250	134	100	14	210



TYPE	A [mm]	W [mm]	C	D Ø [mm]
FDA3-450/FDA3-1050	190	124	M16	12
FDA3-1500/FDA3-2250	242	134	M20	14

**Product description**

Designed for vibration isolation of machines with speeds of more than 350 rpm. Can handle loads from 300 to 3750 kg.

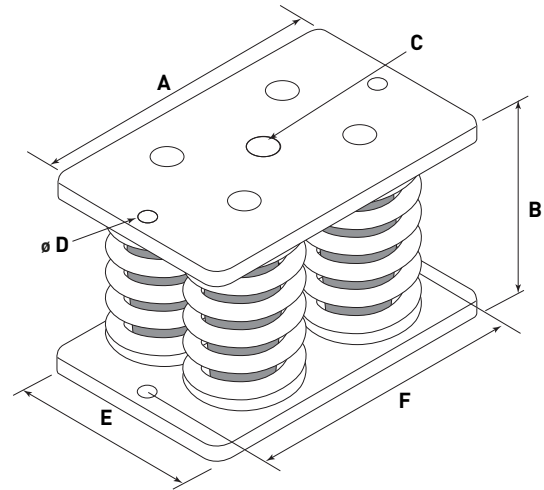
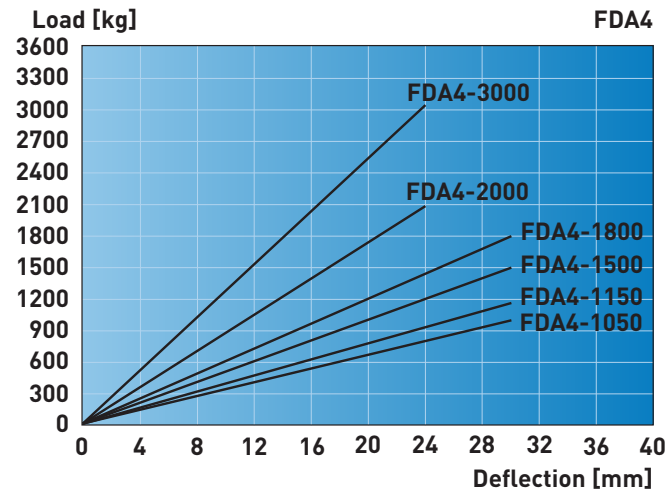
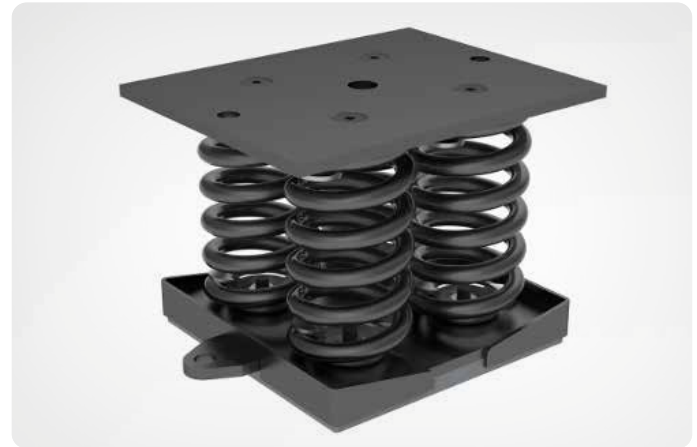
**Properties**

FDA 4-600 to FDA 4-1400 and FDA 5-750 to FDA 5-1750.  
Vertical natural frequency of 1.6 to 4 Hz.

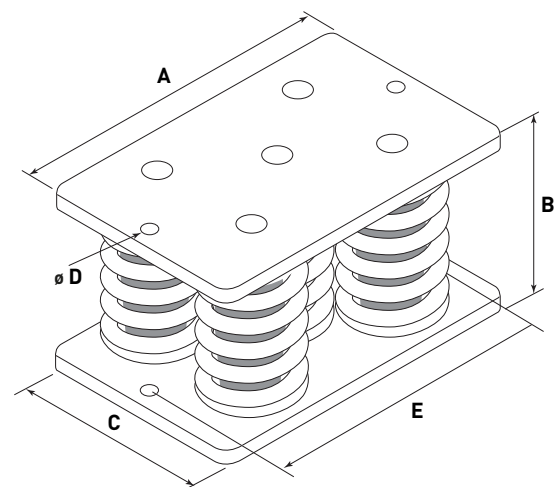
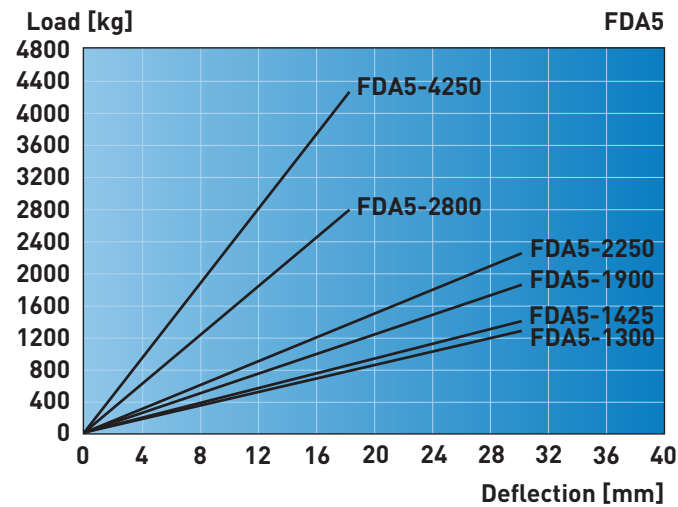
FDA 4-2000, FDA 4-3000 and FDA 5-2500, 5-3750.  
Vertical natural frequency of 3 to 5 Hz.

**Application**

Especially suitable for generators, compressors, fans, pumps, refrigeration equipment, etc.



Type	A [mm]	W [mm]	C	D Ø (mm)	E [mm]	F [mm]
FDA4-600 - 1400	200	124	M16	12	150	170
FDA4-2000 - 3000	250	134	M20	14	200	210



Type	A [mm]	W [mm]	C [mm]	D Ø [mm]	E [mm]
FDA5-750 - 1750	280	124	150	16	248
FDA5-2500 - 3750	350	134	200	18	300

**Product description**

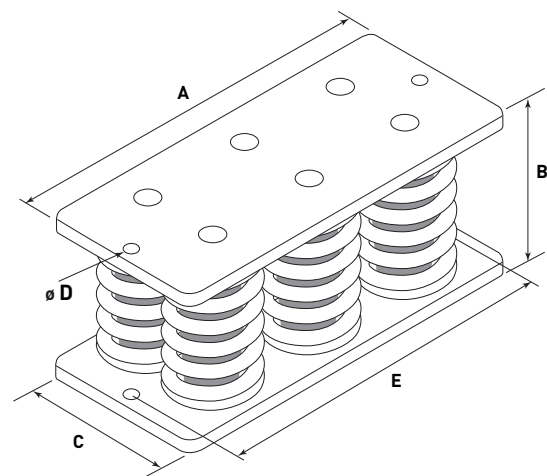
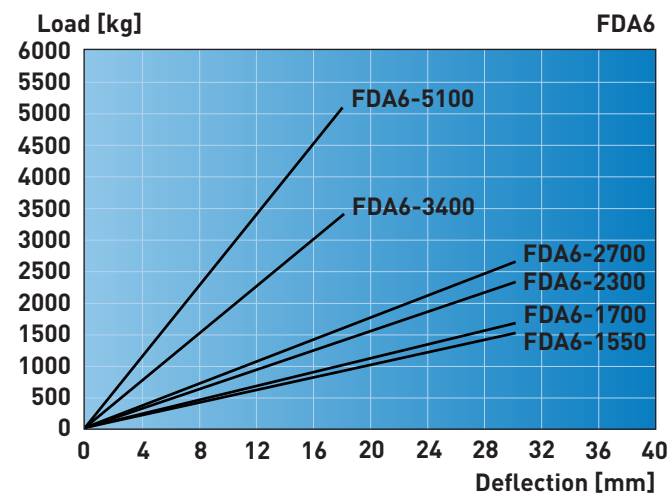
Designed for vibration isolation of machines with speeds of more than 350 rpm. Can handle loads from 300–3750 kg.

**Application**

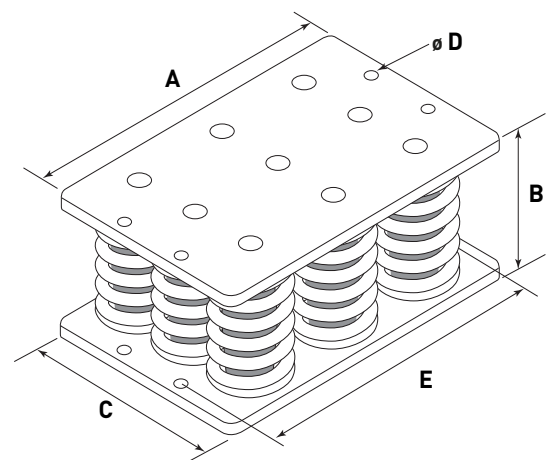
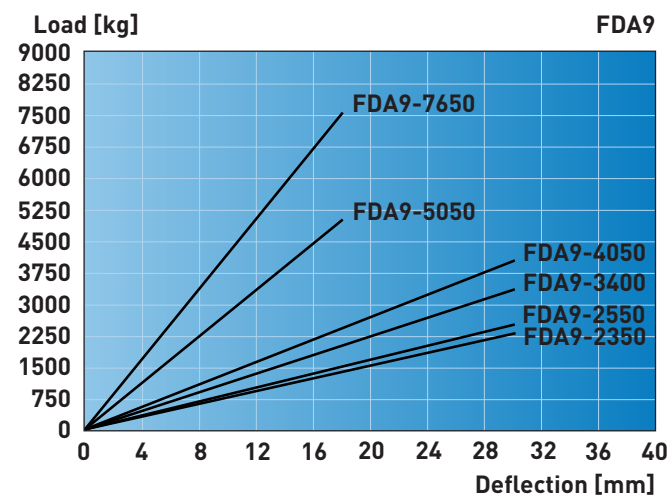
Especially suitable for generators, compressors, fans, pumps, refrigeration equipment, etc.

**Properties**

- FDA 4-600 to FDA 4-1400 and FDA 5-750 to FDA 5-1750.  
Vertical natural frequency of 1.6 to 4 Hz.
- FDA 4-2000, FDA 4-3000 and FDA 5-2500, 5-3750.  
Vertical natural frequency of 3 to 5 Hz.



Type	A [mm]	W [mm]	C [mm]	D Ø [mm]	E [mm]
FDA6-900 – 2100	280	124	150	16	248
FDA6-3000 & 4500	350	134	200	18	300



Type	A [mm]	W [mm]	C [mm]	D Ø [mm]	E [mm]
FDA9-1350 – 3150	280	124	226	16	248
FDA9-4500 & 6750	350	134	300	18	300