

Product description

FAV cone mount provides high deflection, which results in an excellent reduction of vibrations and good shock absorbing, both horizontally and vertically.

The standard version is made from natural rubber and has an electro-galvanised surface. Can also be ordered as follows:

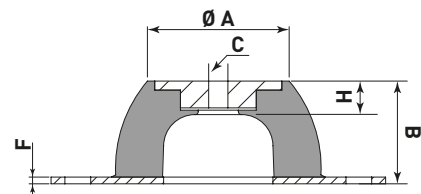
- Rubber hardness: 45, 55 & 70 Sh(A)
- Rubber types CR, EPDM & silicone
- The rubber can be stained
- AISI 316

Application

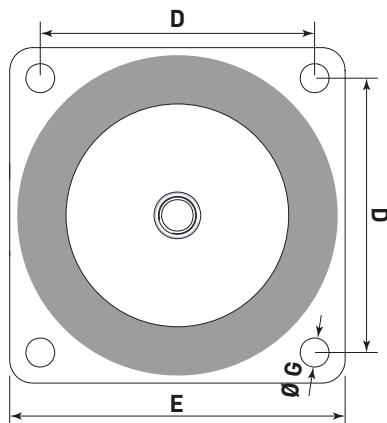
FAV can be used in a wide variety of devices such as fans, pumps, compressors and vibrators, etc.



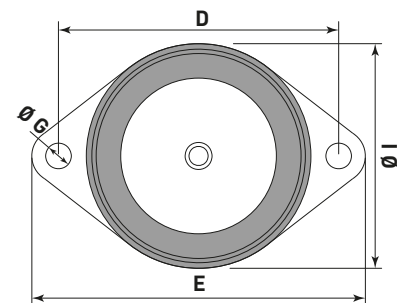
ALSO AVAILABLE IN STAINLESS



FAV0400
FAV0600
FAV1500



FAV0007
FAV0025
FAV0050
FAV0100
FAV0200



Type	Ø A [mm]	B [mm]	C	D [mm]	E [mm]	F [mm]	Ø G [mm]	H [mm]	Ø I [mm]	40 Sh		60 Sh		75 Sh	
										Max. load [kg]	Deflection [mm]	Max. load [kg]	Deflection [mm]	Max. load [kg]	Deflection [mm]
FAV0007	18	20	M6	50	64	2	7.0	7	43	3.5	3.0	9	3.0	13	2.5
FAV0025	33	25	M8	66	85	2	8.0	11	56	25	3.7	40	4.0	60	3.5
FAV0050	45	35	M10	92	114	2	10.0	14	76	40	4.0	80	4.0	100	4.0
FAV0100	53	40	M10	110	136	2	11.5	15	96	70	7.0	130	6.7	180	6.0
FAV0200	58	45	M10	124	151	3	11.5	13	101	150	8.0	220	7.0	320	8.0
FAV0400	70	63	M12	120	150	3	14.5	18	-	280	14.0	500	13.0	800	10.0
FAV0600	100	85	M16	160	200	4	14.5	25	-	380	15.0	750	14.0	1100	12.0
FAV1500	186	160	M24	250	310	6	18.0	43	-	1400	45.0	2500	40.0	3400	35.0

