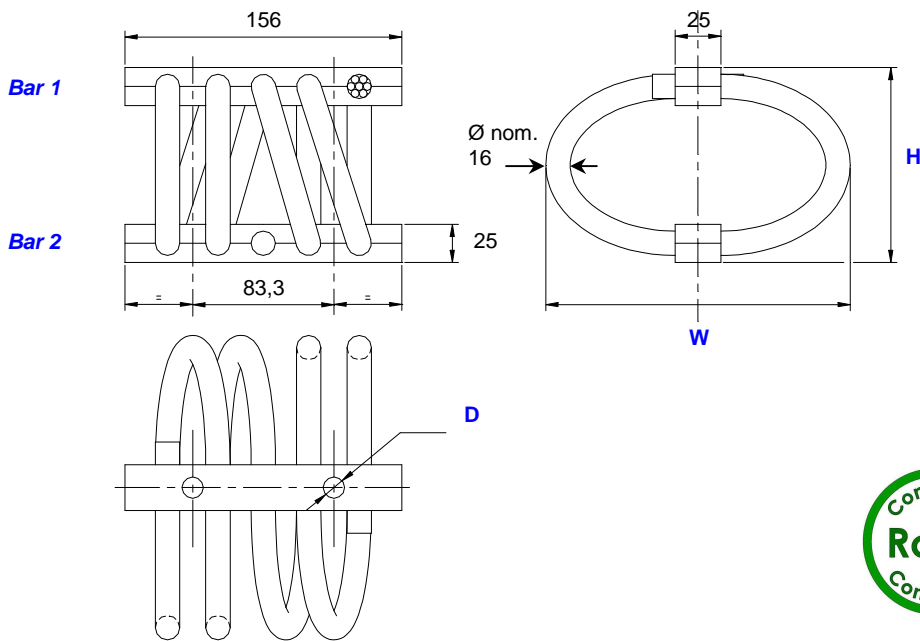


wire rope isolators standard line "Half-Helical"

series HH15

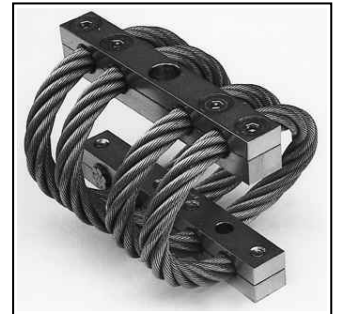
definition



Dimensions are in mm.

Dimensions for reference only.

- All metal multidirectional anti-vibration/shock mounts.
- Exceptional reliability and long life.
- High damping.
- No ageing.
- Corrosion resistant.
- Unequalled temperature range : -180°C +300°C.
- Great adaptability/versatility. Specials on request (material size and number of loops, etc.).



Series

Materials and finishes

HH15
Cable : stainless steel.
(galvanised **HHG15**)
Retainer bars : Aluminium alloy/Surtec 650
Screws : alloy steel/zinc plate.
(Inserts : stainless steel).
All stainless steel version **HHSS15**

Other materials on request.

Model

	height H (mm)	width W (mm)	mass (kg)
-12	87	102	1,50
-15	94	112	1,60
-17	98	120	1,70
-20	107	135	1,85
-30	117	152	2,00
-40	125	165	2,15
-50	135	178	2,30
-60	146	185	2,40

Interfaces

fixture holes
D

Bar 2

2 through holes
Ø 10,8 mm

2 through holes
Ø 10,8 mm
countersunk 90°

2 inserts M10

	Bar 1	Bar 2	Bar 3
2 through holes Ø 10,8 mm		2 through holes Ø 10,8 mm countersunk 90°	2 inserts M10
2 through holes Ø 10,8 mm	TM2	not standard	not standard
2 through holes Ø 10,8 mm countersunk 90°	TCM	CM2	not standard
2 inserts M10	TIM	CIM	IM2

Example :
HH15-30CIM

H H 1 5 - 3 0 C I M

Prefix :
"Half Helical" mount
from the **HH15** series

Model : -30
height : 117 mm
width : 152 mm
mass : 2,0 kg
4 loops

(Model : -30-02)
=
=
=
2 loops

Suffix : **CIM**
2 through holes Ø 10,8 mm
countersunk 90° in bar 1,
2 inserts M10 in bar 2.

Note : Standard models of this series have 4 loops.

01/03/2014

Socitec
BP 33, 78501 Sartrouville cedex - France
Telephone : +33 (0)1 61 04 60 00
Fax : +33 (0)1 39 14 03 27
http://www.socitec.com
e-mail : shock-intl@socitec.com

Document subject to modification without prior notice



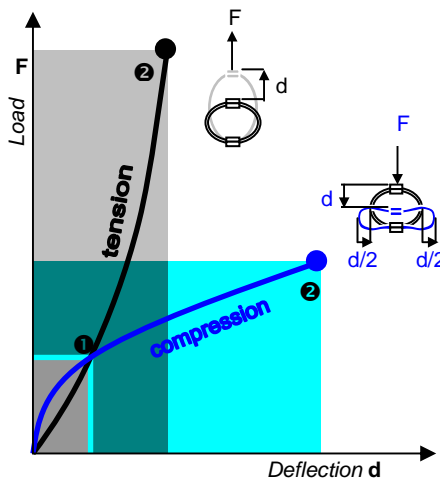
series

HH15

wire rope isolators

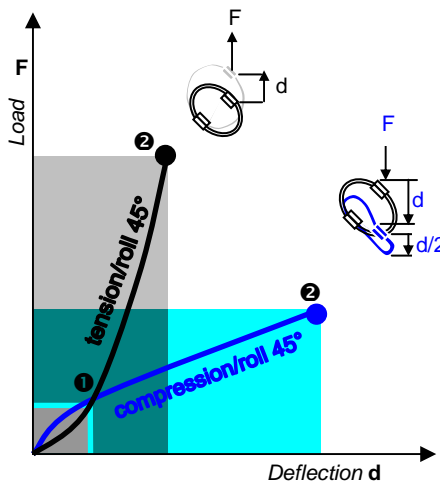
standard line "Half-Helical"

performances*



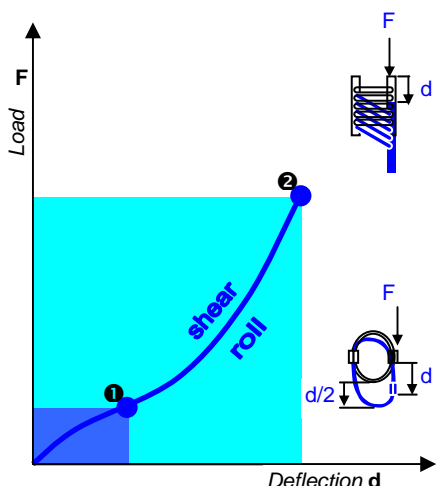
Compression and Tension

HH15 series	Model	-12	-15	-17	-20	-30	-40	-50	-60
Max static	F daN	436	356	305	237	185	157	136	128
	① d mm	6,0	7,1	7,8	9,3	11,0	12,3	14,0	15,8
Max shock	F daN	1309	1070	915	710	555	470	407	384
	② d mm	33	39	43	51	60	67	76	86
Max vibration	2a mm	3,6	4,3	4,7	5,6	6,6	7,3	8,3	9,4
	③ f Hz	6,7	6,2	6,0	5,6	5,2	4,9	4,6	4,3
Max static	F daN	436	356	305	237	185	157	136	128
	① d mm	4,8	5,9	6,7	8,3	10,1	11,5	12,9	13,7
Max shock	F daN	4614	3838	3433	2778	2254	1944	1660	1452
	② d mm	22	27	32	41	52	60	67	66
Max vibration	2a mm	2,4	3,0	3,5	4,5	5,7	6,6	7,3	7,3
	③ f Hz	9,3	8,4	7,8	7,0	6,3	5,9	5,6	5,5



Compression/roll 45°-Tension/roll 45°

HH15 series	Model	-12	-15	-17	-20	-30	-40	-50	-60
Max static	F daN	327	267	229	178	139	117	102	95,8
	① d mm	8,4	10,1	11,0	13,1	15,5	17,3	19,7	22,2
Max shock	F daN	805	660	569	446	350	298	257	239
	② d mm	49	58	63	76	89	100	113	128
Max vibration	2a mm	5,3	6,4	7,0	8,3	9,8	11,0	12,5	14,1
	③ f Hz	5,7	5,3	5,1	4,7	4,4	4,2	3,9	3,6
Max static	F daN	327	267	229	178	139	117	102	95,8
	① d mm	7,5	9,1	10,4	12,8	15,5	17,3	19,7	21,2
Max shock	F daN	2243	1868	1677	1362	1108	957	817	710
	② d mm	25	31	37	47	59	69	76	75
Max vibration	2a mm	2,8	3,4	4,0	5,2	6,5	7,5	8,4	8,3
	③ f Hz	8,4	7,6	7,1	6,4	5,8	5,4	5,1	5,0



Shear or roll

HH15 series	Model	-12	-15	-17	-20	-30	-40	-50	-60
Max static	F daN	218	178	152	118	92,4	78,3	67,8	63,9
	① d mm	11,3	13,5	14,8	17,6	20,8	23,3	26,4	29,9
Max shock	F daN	1272	1027	905	712	564	479	404	352
	② d mm	32	39	44	55	67	76	85	90
Max vibration	2a mm	3,5	4,2	4,8	6,0	7,3	8,4	9,4	9,9
	③ f Hz	7,0	6,4	6,0	5,4	4,9	4,6	4,3	4,2

- ① Max static load (F) with corresponding deflection (d)
- ② Max shock load (F) with corresponding deflection (d)
- ③ Uncoupled resonant frequency (f) under max static loading ① and max peak to peak sinusoidal vibration input (2a)

* Important : Performance characteristics are given here for reference only. They can be increased under specific conditions. Contact us.

01/03/2014

Typical shock/vibration specifications :

Ground Forces	GAM EG13A, SEFT 001, MIL-STD-810, VG 95332.
Air	AIR 7306, MIL-E-5400, MIL-C-172, MIL-STD-810.
Marine	GAM EG13C, IT25-21/96-31/15-86, MIL-S-167, MIL-S-901, STANAG 042, BV 043.73, BV 044.
Others	GAM EMB1, GAM EMBT4, DEF STAN 07-55, IEC 571, FINABEL 2C.

Socitec
 BP 33, 78501 Sartrouville cedex - France
 Telephone : +33 (0)1 61 04 60 00
 Fax : +33 (0)1 39 14 03 27
 http://www.socitec.com
 e-mail : shock-intl@socitec.com



Document subject to modification without prior notice