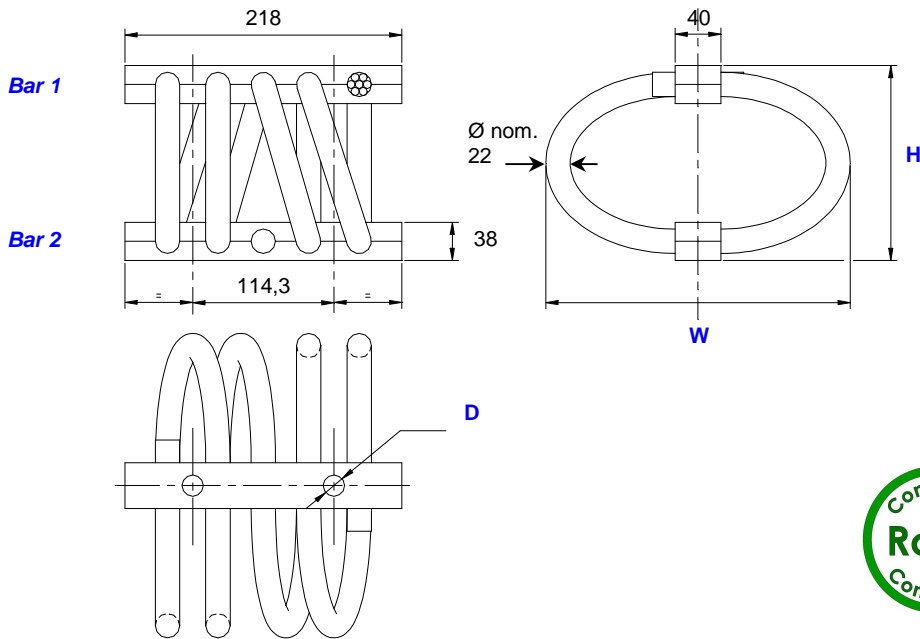


# wire rope isolators standard line "Half-Helical"

## series HH17

### definition



Dimensions are in mm.

Dimensions for reference only.

- All metal multidirectional anti-vibration/shock mounts.
- Exceptional reliability and long life.
- High damping.
- No ageing.
- Corrosion resistant.
- Unequalled temperature range : -180°C +300°C.
- Great adaptability/versatility. Specials on request (material size and number of loops, etc.).



### Series

Materials and finishes

**HH17**  
Cable : stainless steel.  
(galvanised **HHG17**)  
Retainer bars : Aluminium alloy/Surtec 650  
Screws : alloy steel/zinc plate.  
(Inserts : stainless steel).  
All stainless steel version **HHSS17**

Other materials on request.

### Model

	height H (mm)	width W (mm)	mass (kg)
<b>-15</b>	133	140	4,2
<b>-17</b>	152	165	4,8
<b>-20</b>	159	178	5,0
<b>-25</b>	175	195	5,4
<b>-30</b>	190	210	5,8
<b>-40</b>	216	235	6,4

### Interfaces

fixture holes  
D

#### Bar 2

2 through holes  
Ø 13,5 mm

2 through holes  
Ø 13,5 mm  
countersunk 90°

2 inserts M12

Bar 1	Bar 1	Bar 1	Bar 1
2 through holes Ø 13,5 mm	2 through holes Ø 13,5 mm countersunk 90°	2 inserts M12	
<b>TM2</b>	<i>not standard</i>	<i>not standard</i>	
<b>TCM</b>	<b>CM2</b>	<i>not standard</i>	
<b>TIM</b>	<b>CIM</b>	<b>IM2</b>	

Example :  
HH17-30CIM

**H H 1 7 - 3 0 C I M**

Prefix :  
"Half Helical" mount  
from the **HH17** series

Model : **-30**  
height : 190 mm  
width : 210 mm  
mass : 5,8 kg  
4 loops

( Model : **-30-02** )  
=  
=  
=  
2 loops

Suffix : **CIM**  
2 through holes Ø 13,5 mm  
countersunk 90° in bar 1,  
2 inserts M12 in bar 2.

Note : Standard models of this series have 4 loops.

01/09/2014

Socitec  
BP 33, 78501 Sartrouville cedex - France  
Telephone : +33 (0)1 61 04 60 00  
Fax : +33 (0)1 39 14 03 27  
http://www.socitec.com  
e-mail : shock-intl@socitec.com

Document subject to modification without prior notice



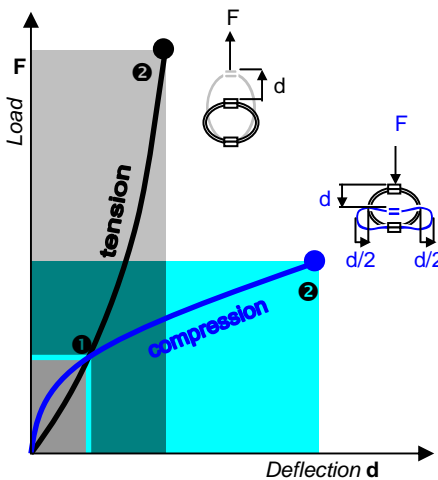
series

HH17

wire rope isolators

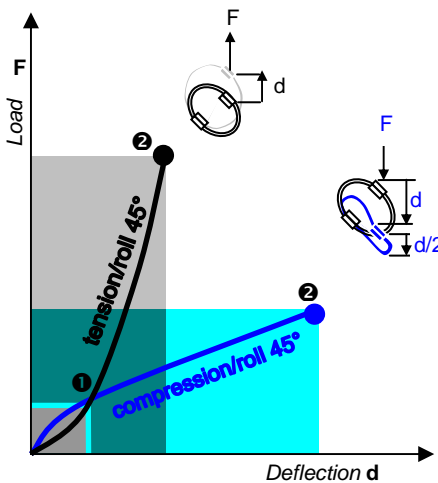
standard line "Half-Helical"

performances\*



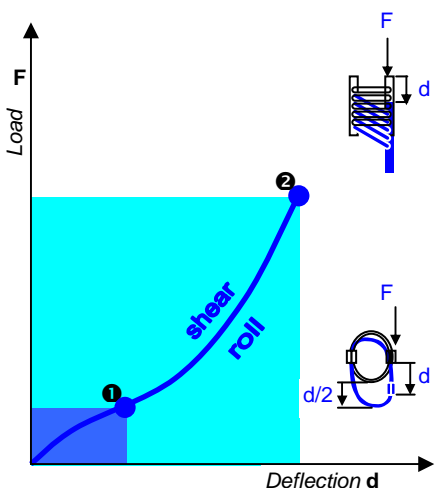
**Compression and Tension**

HH17 series	Model	-15	-17	-20	-25	-30	-40			
Max static	F daN	746	576	494	410	353	281			
	d mm	9,2	11,8	13,8	16,4	18,7	22,4			
Max shock	F daN	2237	1728	1481	1231	1059	844			
	d mm	51	64	75	89	103	126			
Max vibration	2a mm	5,6	7,0	8,2	9,8	11,3	13,9			
	f Hz	5,0	4,6	4,2	3,8	3,6	3,2			
Max static	F daN	746	576	494	410	353	281			
	d mm	6,3	8,4	9,7	11,4	12,9	15,3			
Max shock	F daN	6770	5482	4658	3832	3252	2532			
	d mm	25	35	40	47	52	60			
Max vibration	2a mm	2,8	3,8	4,4	5,1	5,7	6,7			
	f Hz	8,1	7,0	6,6	6,0	5,7	5,2			



**Compression/roll 45°-Tension/roll 45°**

HH17 series	Model	-15	-17	-20	-25	-30	-40			
Max static	F daN	559	432	370	308	265	211			
	d mm	13,3	16,6	19,4	23,2	26,7	32,8			
Max shock	F daN	1333	1040	890	738	633	502			
	d mm	77	96	112	134	154	189			
Max vibration	2a mm	8,5	10,5	12,3	14,7	16,9	20,8			
	f Hz	4,3	3,9	3,6	3,3	3,0	2,7			
Max static	F daN	559	432	370	308	265	211			
	d mm	9,8	13,1	15,1	17,8	20,1	23,9			
Max shock	F daN	3243	2639	2240	1841	1560	1212			
	d mm	29	40	46	53	59	69			
Max vibration	2a mm	3,2	4,4	5,0	5,9	6,5	7,6			
	f Hz	7,4	6,4	6,0	5,5	5,2	4,8			



**Shear or roll**

HH17 series	Model	-15	-17	-20	-25	-30	-40			
Max static	F daN	373	288	247	205	177	141			
	d mm	17,9	22,3	26,1	31,2	35,9	44,1			
Max shock	F daN	1813	1432	1189	956	796	605			
	d mm	44	57	66	78	88	106			
Max vibration	2a mm	4,8	6,3	7,2	8,6	9,7	11,7			
	f Hz	5,8	5,1	4,8	4,4	4,1	3,7			

- 1 Max static load (F) with corresponding deflection (d)
- 2 Max shock load (F) with corresponding deflection (d)
- 3 Uncoupled resonant frequency (f) under max static loading 1 and max peak to peak sinusoidal vibration input (2a)

\* Important : Performance characteristics are given here for reference only. They can be increased under specific conditions. Contact us.

01/09/2014

**Typical shock/vibration specifications :**

Ground Forces GAM EG13A, SEFT 001, MIL-STD-810, VG 95332.  
 Air AIR 7306, MIL-E-5400, MIL-C-172, MIL-STD-810.  
 Marine GAM EG13C, IT25-21/96-31/15-86, MIL-S-167, MIL-S-901, STANAG 042, BV 043.73, BV 044.  
 Others GAM EMB1, GAM EMBT4, DEF STAN 07-55, IEC 571, FINABEL 2C.

Socitec  
 BP 33, 78501 Sartrouville cedex - France  
 Telephone : +33 (0)1 61 04 60 00  
 Fax : +33 (0)1 39 14 03 27  
 http://www.socitec.com  
 e-mail : shock-intl@socitec.com



Document subject to modification without prior notice