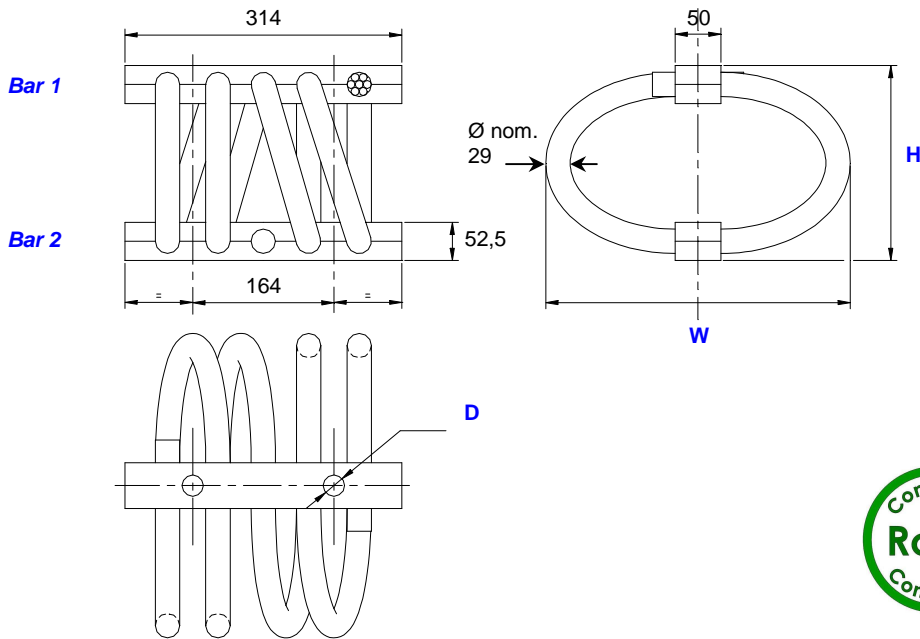


wire rope isolators standard line "Half-Helical"

series HH19

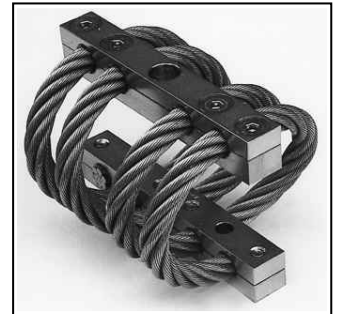
definition



Dimensions are in mm.

Dimensions for reference only.

- All metal multidirectional anti-vibration/shock mounts.
- Exceptional reliability and long life.
- High damping.
- No ageing.
- Corrosion resistant.
- Unequalled temperature range : -180°C +300°C.
- Great adaptability/versatility. Specials on request (material size and number of loops, etc.).



Series

Materials and finishes

HH19
Cable : stainless steel.
(galvanised **HHG19**)
Retainer bars : Aluminium alloy/Surtec 650
Screws : alloy steel/zinc plate.
(Inserts : stainless steel).
All stainless steel version **HHSS19**

Other materials on request.

Model

	height H (mm)	width W (mm)	mass (kg)
-10	182	216	10,5
-12	216	245	12,0
-15	235	264	12,5

Interfaces

fixture holes
D

Bar 2

2 through holes
Ø 20 mm

2 through holes
Ø 20 mm
countersunk 90°

2 inserts M18

	Bar 1		
	2 through holes Ø 20 mm	2 through holes Ø 20 mm countersunk 90°	2 inserts M18
	TM2	<i>not standard</i>	<i>not standard</i>
	TCM	CM2	<i>not standard</i>
	TIM	CIM	IM2

Example :
HH19-12CIM

H H 1 9 - 1 2 C I M

Prefix :
"Half Helical" mount
from the **HH19** series

Model : **-12** (Model : **-12-02**)
height : 216 mm
width : 245 mm
mass : 12,0 kg
4 loops = 2 loops

Suffix : **CIM**
2 through holes Ø 20 mm
countersunk 90° in bar 1,
2 inserts M18 in bar 2.

Note : Standard models of this series have 4 loops.

01/07/2013

Socitec
BP 33, 78501 Sartrouville cedex - France
Telephone : +33 (0)1 61 04 60 00
Fax : +33 (0)1 39 14 03 27
http://www.socitec.com
e-mail : shock-intl@socitec.com

Document subject to modification without prior notice



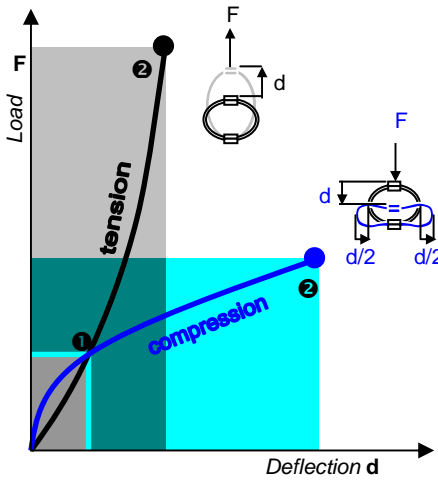
series

HH19

wire rope isolators

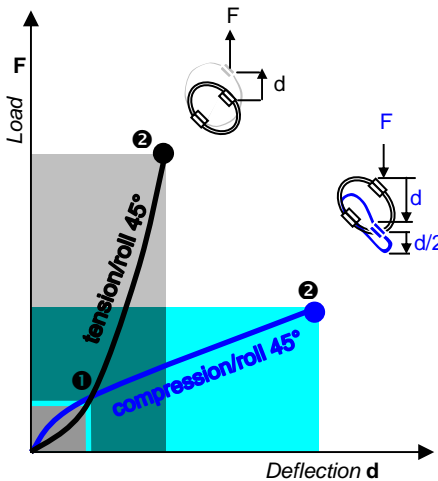
standard line "Half-Helical"

performances*



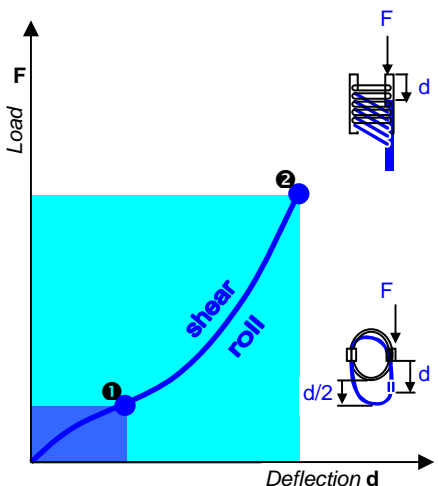
Compression and Tension

HH19 series	Model	-10	-12	-15						
Max static	F daN	920	779	694						
	1 d mm	12,7	18,4	21,6						
Max shock	F daN	2760	2336	2081						
	2 d mm	69	100	117						
Max vibration	2a mm	7,6	11,0	12,9						
	3 f Hz	4,7	3,8	3,4						
Max static	F daN	920	779	694						
	1 d mm	11,0	14,0	15,9						
Max shock	F daN	9181	6866	5977						
	2 d mm	50	58	64						
Max vibration	2a mm	5,5	6,3	7,1						
	3 f Hz	6,2	5,5	5,2						



Compression/roll 45°-Tension/roll 45°

HH19 series	Model	-10	-12	-15						
Max static	F daN	690	584	520						
	1 d mm	22,8	34,1	40,2						
Max shock	F daN	1721	1421	1260						
	2 d mm	104	150	176						
Max vibration	2a mm	11,4	16,5	19,3						
	3 f Hz	3,9	3,1	2,8						
Max static	F daN	690	584	520						
	1 d mm	17	22	25						
Max shock	F daN	6793	5026	4365						
	2 d mm	67	77	86						
Max vibration	2a mm	7,4	8,4	9,4						
	3 f Hz	5,4	4,9	4,6						



Shear or roll

HH19 series	Model	-10	-12	-15						
Max static	F daN	460	389	347						
	1 d mm	24,1	35,0	40,9						
Max shock	F daN	3193	2220	1884						
	2 d mm	77	98	112						
Max vibration	2a mm	8,4	10,8	12,3						
	3 f Hz	4,6	4,0	3,7						

- 1 Max static load (F) with corresponding deflection (d)
- 2 Max shock load (F) with corresponding deflection (d)
- 3 Uncoupled resonant frequency (f) under max static loading 1 and max peak to peak sinusoidal vibration input (2a)

* Important : Performance characteristics are given here for reference only. They can be increased under specific conditions. Contact us.

01/07/2013

Typical shock/vibration specifications :

Ground Forces	GAM EG13A, SEFT 001, MIL-STD-810, VG 95332.
Air	AIR 7306, MIL-E-5400, MIL-C-172, MIL-STD-810.
Marine	GAM EG13C, IT25-21/96-31/15-86, MIL-S-167, MIL-S-901, STANAG 042, BV 043.73, BV 044.
Others	GAM EMB1, GAM EMBT4, DEF STAN 07-55, IEC 571, FINABEL 2C.

Socitec
 BP 33, 78501 Sartrouville cedex - France
 Telephone : +33 (0)1 61 04 60 00
 Fax : +33 (0)1 39 14 03 27
 http://www.socitec.com
 e-mail : shock-intl@socitec.com



Document subject to modification without prior notice