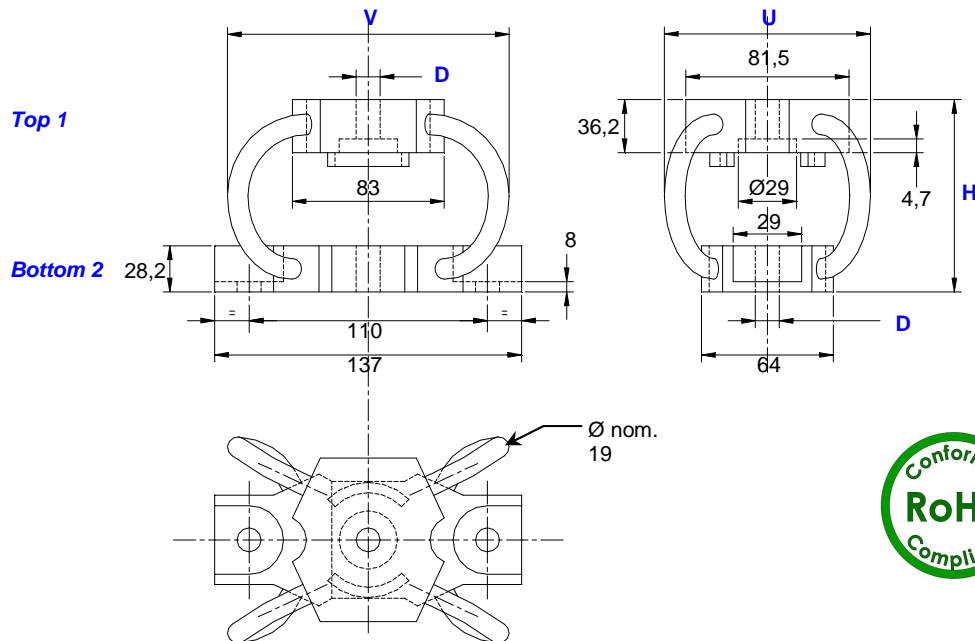


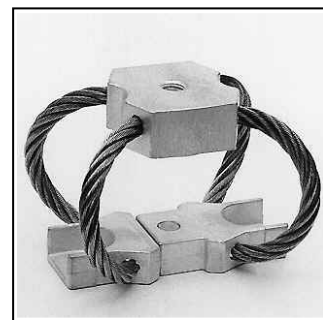
# wire rope isolators standard line "Polycal"

## series MP16

### definition



- All metal multidirectional anti-vibration/shock mounts.
- Exceptional reliability and long life.
- High damping.
- No ageing.
- Corrosion resistant.
- Unequalled temperature range : -180°C +300°C.
- Cheap and quick prototypes from stock.



Dimensions are in mm.

Dimensions for reference only.

#### Series

Materials and finishes

#### MP16

**Cable :**  
stainless steel.  
**Interfaces :**  
aluminium alloy.  
**Insert :**  
stainless steel.

Other materials  
on request.

#### Model

	height H (mm)	width U (mm)	width V (mm)	mass (kg)
<b>-315</b>	130	138	174	2,20
<b>-375</b>	149	151	195	2,32
<b>-415</b>	164	160	204	2,43
<b>-515</b>	194	183	219	2,72
<b>-615</b>	224	205	237	3,02

#### Interfaces

fixture holes

#### Top 1

1 through holes  $\varnothing$  13,5 mm  
( option : M16 )

#### Bottom 2

2 through holes  $\varnothing$  13,5 mm

**Example :**  
MP16-515

**M P 1 6 - 5 1 5**

**Prefix :**  
"Polycal" mount  
from the **MP16** series

**Model : -515**  
height : 194 mm  
width U : 183 mm  
width V : 219 mm  
mass : 2,72 kg

01/07/2013

Socitec  
BP 33, 78501 Sartrouville cedex - France  
Telephone : +33 (0)1 61 04 60 00  
Fax : +33 (0)1 39 14 03 27  
<http://www.socitec.com>  
e-mail : [shock-intl@socitec.com](mailto:shock-intl@socitec.com)



Document subject to modification without prior notice

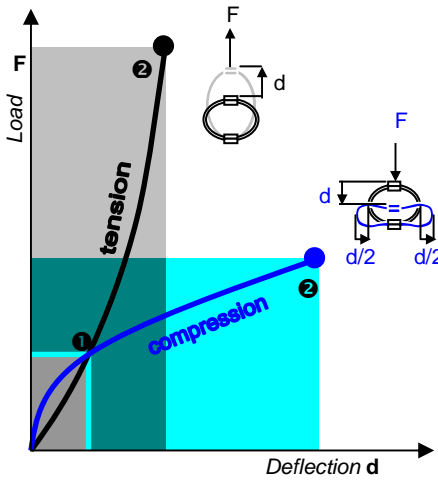
series

MP16

wire rope isolators

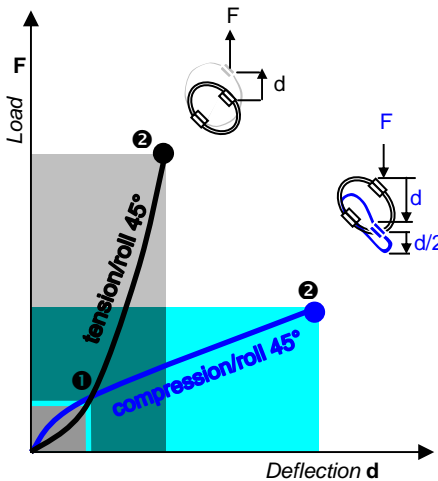
standard line "Polycal"

performances\*



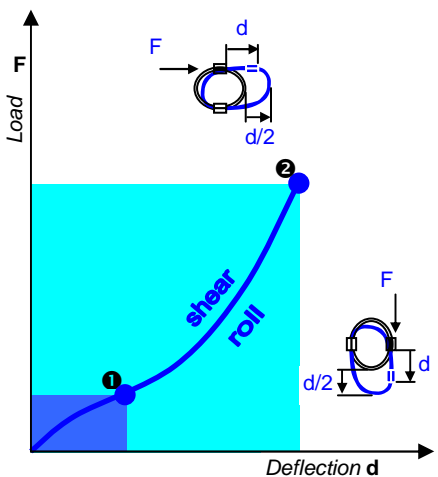
**Compression and Tension**

MP16 series	Model	-315	-375	-415	-515	-615				
Max static	F daN	160	137	124	103	82,5				
	① d mm	11,3	14,8	16,8	21,8	26,8				
Max shock	F daN	479	410	371	308	248				
	② d mm	61	80	91	118	145				
Max vibration	2a mm	6,7	8,8	10,0	13,0	16,0				
	③ f Hz	5,0	4,3	3,9	3,4	3,0				
Max static	F daN	160	137	124	103	82,5				
	① d mm	9,6	11,6	12,8	15,4	18,8				
Max shock	F daN	1580	1246	1101	857	686				
	② d mm	44	49	53	61	74				
Max vibration	2a mm	4,8	5,4	5,9	6,7	8,1				
	③ f Hz	6,6	6,0	5,7	5,2	4,7				



**Compression/roll 45°-Tension/roll 45°**

MP16 series	Model	-315	-375	-415	-515	-615				
Max static	F daN	120	103	92,8	76,9	61,9				
	① d mm	20,0	26,8	30,8	39,7	48,6				
Max shock	F daN	298	251	226	185	149				
	② d mm	92	120	137	177	218				
Max vibration	2a mm	10,1	13,2	15,0	19,5	23,9				
	③ f Hz	4,2	3,5	3,3	2,8	2,5				
Max static	F daN	120	103	92,8	76,9	61,9				
	① d mm	14,9	18,0	20,0	24,0	29,3				
Max shock	F daN	1168	915	806	624	499				
	② d mm	58	66	71	81	98				
Max vibration	2a mm	6,4	7,2	7,8	8,9	10,8				
	③ f Hz	5,8	5,3	5,1	4,6	4,2				



**Shear or roll**

MP16 series	Model	-315	-375	-415	-515	-615				
Max static	F daN	79,9	68,4	61,8	51,3	41,3				
	① d mm	21,3	28,0	31,8	41,3	50,7				
Max shock	F daN	482	366	323	242	193				
	② d mm	67	81	90	110	134				
Max vibration	2a mm	7,4	8,9	9,9	12,0	14,7				
	③ f Hz	4,9	4,4	4,1	3,7	3,3				

- ① Max static load (F) with corresponding deflection (d)
- ② Max shock load (F) with corresponding deflection (d)
- ③ Uncoupled resonant frequency (f) under max static loading ① and max peak to peak sinusoidal vibration input (2a)

\* **Important** : Performance characteristics are given here for reference only. They can be increased under specific conditions. Contact us.

01/07/2013

**Typical shock/vibration specifications :**

Ground Forces GAM EG13A, SEFT 001, MIL-STD-810, VG 95332.  
 Air AIR 7306, MIL-E-5400, MIL-C-172, MIL-STD-810.  
 Marine GAM EG13C, IT25-21/96-31/15-86, MIL-S-167, MIL-S-901, STANAG 042, BV 043.73, BV 044.  
 Others GAM EMB1, GAM EMBT4, DEF STAN 07-55, IEC 571, FINABEL 2C.

Socitec  
 BP 33, 78501 Sartrouville cedex - France  
 Telephone : +33 (0)1 61 04 60 00  
 Fax : +33 (0)1 39 14 03 27  
 http://www.socitec.com  
 e-mail : shock-intl@socitec.com



Document subject to modification without prior notice