

Product description

SPG is a transparent soundproof curtain made from soft PVC.

Application

For screening off noisy machines and workplaces, as well as for sectioning of premises in noisy and non-noisy areas. The soundproof curtain can also be used in openings where the passage or thoroughfare of, for example, materials, is required.

Acoustic data

The soundproof curtain's reduction value is shown in the following dimensioning curve. The noise damping achieved by screening off will be in about 5–10 dB – although it depends on factors such as the room's acoustics, the noise frequency composition, the height of the curtains and the sound source's location relative to the soundproof curtains.

Assembly

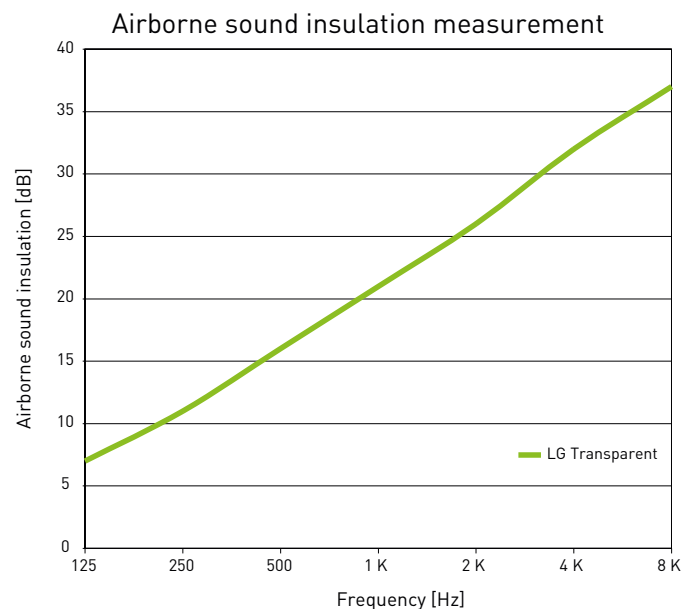
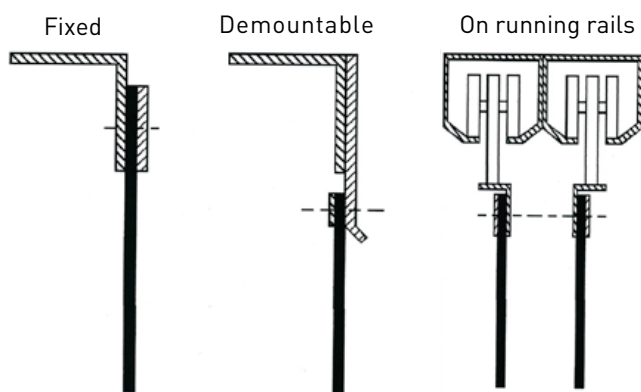
The individual curtain tracks are installed free hanging. The suspension can be fixed or on running rails so that the curtain can be slid to the side; see the examples below.

The overlap between the tracks should be 100 to 200 mm

NB! The soundproof curtain should not be suspended from tracks which are longer than 3–4 m or the dead weight will stretch the material.

If longer lengths are needed, clamp rails of should be fitted made of, for example, steel strips.

Assembly examples



Product data	
Surface weight	3.7 kg/m ²
Thickness	3.0 mm
Width	1.2 m Also available in other widths
Length	20 m Also available in other lengths
Weight	4.5 kg/lb. md.
Conduction	0.15 W/mK
Colour	Transparent
Temperature range	-30 °C to +40 °C (for short amounts of time, up to 100 °C)
Properties	Self-extinguishing and does not continue to glow. Tested in accordance with DIN 53382
Storage	Store at temperatures of 0 °C to 30 °C