

Product description

Waisted cylindrical anti-vibration mount which can be tuned to a specific natural frequency. Manufactured according to customer needs.

By grinding the diameter smaller in the centre “waist”, the mount’s stiffness can be controlled very accurately. During production, the grinding depth is tested in order to ensure that the stiffness is maintained for each item.

The mount is the same type as our AD/RAD mount, and all types of AD/RAD can be made with a waist.

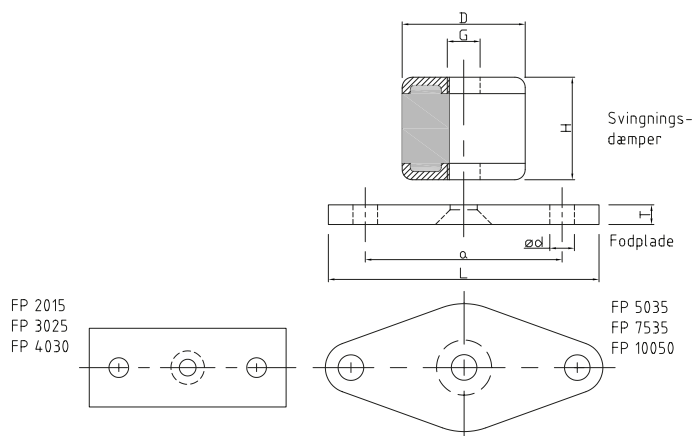
Application

Anti-vibration mounts with a waist are used for, among other things, equipment mounted on machines/motors with high amplitude vibrations of known frequency ranges. This can also be passive isolation of electrical installations on the motors or vibrators, and active isolation of stationary machine installations such as fans, pumps, electric motors, converters and compressors in sound-susceptible areas.

Also used in special environments such as in the food industry.

Accessories

Base plate in galvanised steel for mounting on floors etc., Countersunk screw included. Baseplate is not available in stainless steel.



ALSO AVAILABLE IN STAINLESS

Type	Hardness Rubber colour	Load [kg]	Static deflection [mm]	*anti-vibration mount dimension [mm]			Base plate dimension [mm]				
				D	H	G	L	Width	T	ød	a
ADSL 2015	White	1-15	Depending on the depth of the waist	20	15	M6	60	20	4	7.5	40
	Red	1.5-20									
	Black	2-25									
ADSL 3025	White	3-35		30	25	M8	90	30	6	10	60
	Red	4-45									
	Black	5-55									
ADSL 4030	White	10-65		40	30	M8	100	40	6	10	70
	Red	15-80									
	Black	20-100									
ADSL 5035	White	20-100		50	35	M10	100	45	8	10	80
	Red	25-115									
	Black	30-135									
ADSL 7535	White	50-225	75	35	M12	145	65	8	13	115	
	Red	60-300									
	Black	80-400									
ADSL 10050	White	100-300	100	50	M12	170	90	8	13	145	
	Red	125-400									
	Black	150-600									